

210mm

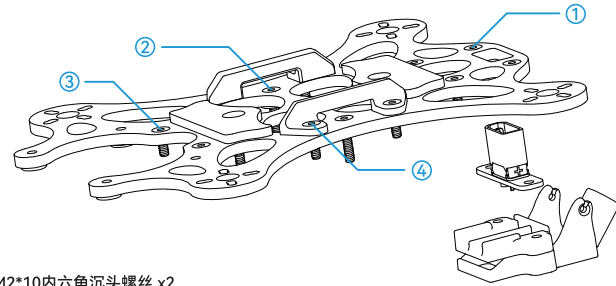
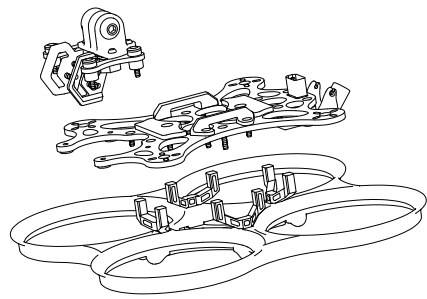
基本信息

轴距 112mm
保护圈内径 65.5mm

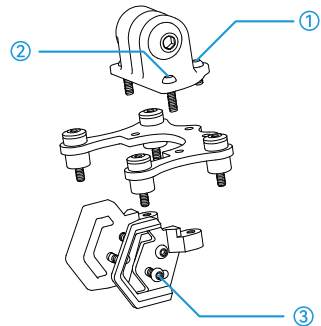
主体碳板厚度 2.5mm
重量 70g

飞控安装尺寸 25.5*25.5mm

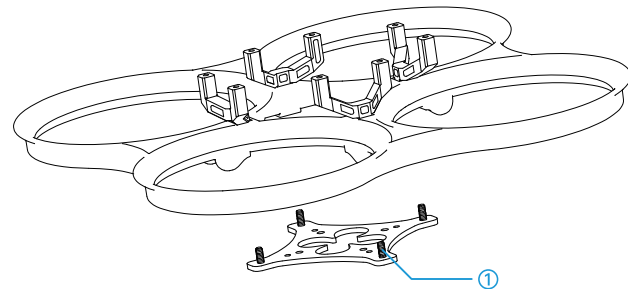
马达安装尺寸 4*M2 EQS ϕ 9mm/ ϕ 12mm



- ① M2*10内六角沉头螺丝 x2
- ② M2*10内六角沉头螺丝 x4
- ③ M2*6内六角沉头螺丝 x4
- ④ M2*8内六角沉头螺丝 x4



- ① M2*5内六角平圆头螺丝 x2
- ② M2*8内六角平圆头螺丝 x2
- ③ M2*4内六角平圆头螺丝 x4



- ① M2*6内六角沉头螺丝 x4

148mm

210mm

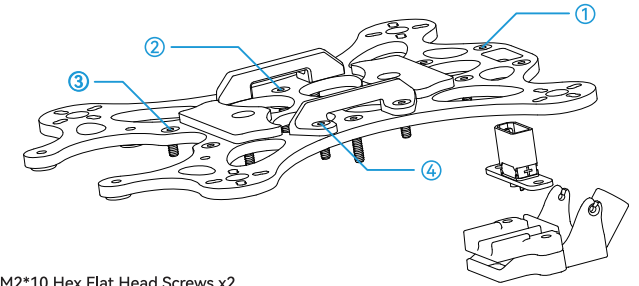
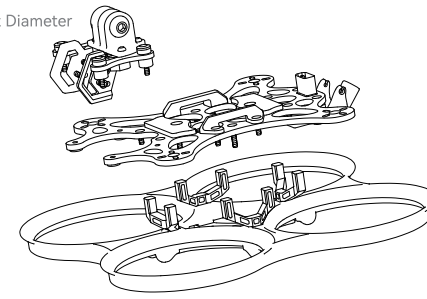
Specification

Wheelbase 112mm
Whoop Duct Diameter 65.5mm

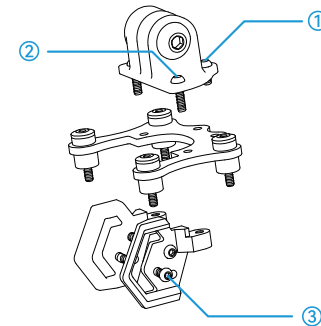
Top Plate Thickness 2.5mm
Weight 70g

FC Mounting 25.5*25.5mm

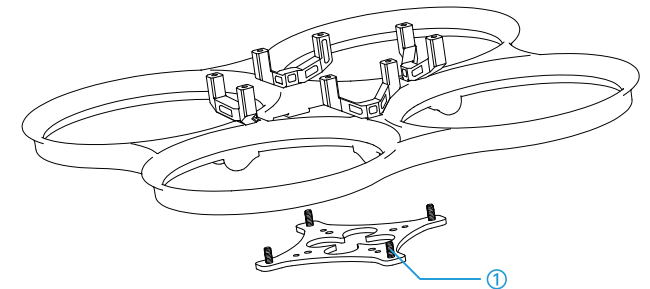
Motor Mounting 4*M2 EQS ϕ 9mm/ ϕ 12mm



- ① M2*10 Hex Flat Head Screws x2
- ② M2*10 Hex Flat Head Screws x4
- ③ M2*6 Hex Flat Head Screws x4
- ④ M2*8 Hex Flat Head Screws x4



- ① M2*5 Hex Button Head Screws x2
- ② M2*8 Hex Button Head Screws x2
- ③ M2*4 Hex Button Head Screws x4



- ① M2*6 Hex Flat Head Screws x4