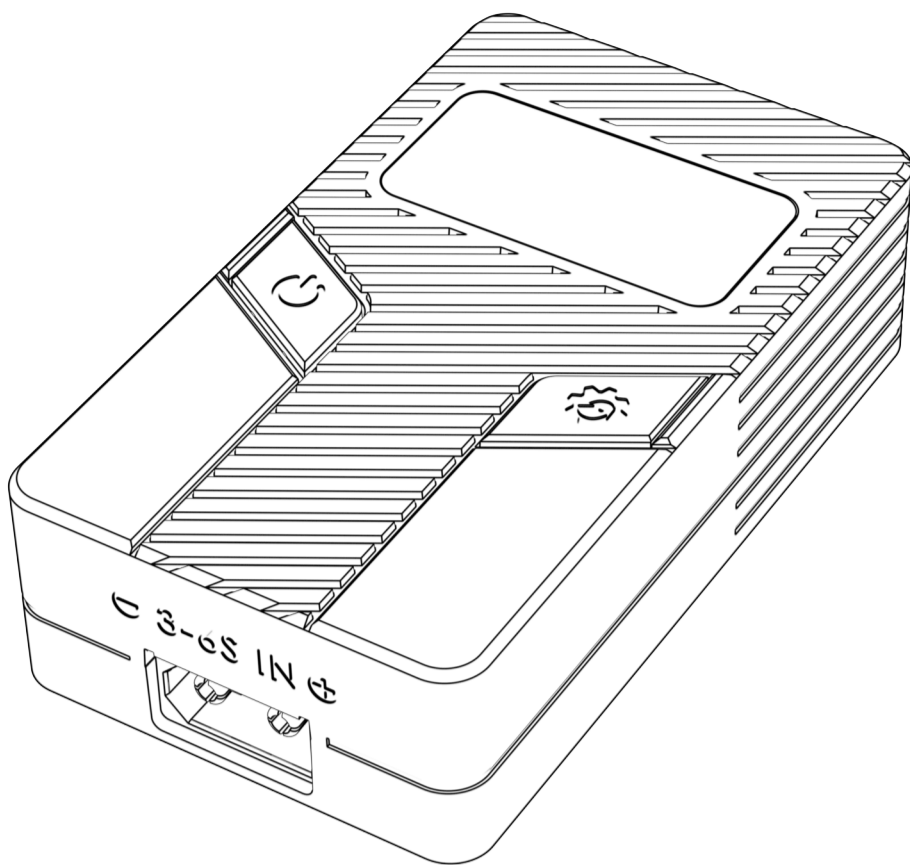


SpeedyBee Discharger

User Manual V1.0



SpeedyBee discharger supports to discharge Lipo (3-6S) by connecting via XT60 connector and outputting via Type-C port, and the output power is up to 60W for devices such as laptop and mobile phones.

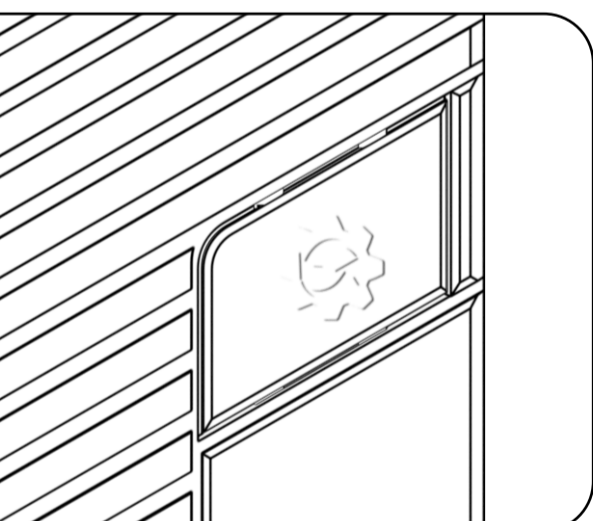
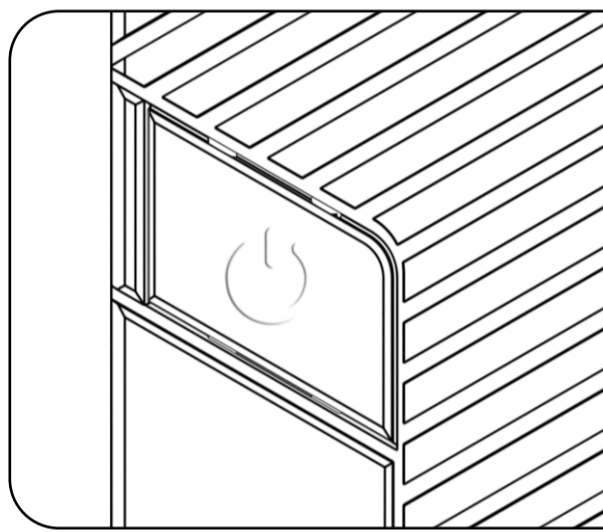
Power for different Lipo:

Up to 30W for 3S, 40W for 4S and 60W for 6S Lipo.

Instruction:

Short press the left button to switch the displayed value: input voltage/output voltage/output current

Long press the left button to turn on/turn off



Short press the right button to switch and check voltage of each cell. (Voltage accuracy for each cell: within $\pm 0.05V$ from the actual voltage generally.)

Long press the right button to set a targeted discharging voltage (3.80V by default, and customization is supported with setting 3.70V as the lowest. There will be an alarm when the voltage reaches the target. Outputting will be cut off and a buzzer will sound.)

Please scan the QR code below to check the product page:



Please scan the QR code below to check how to plug and unplug:

