

# Master

机架安装指引  
Installation Guidelines

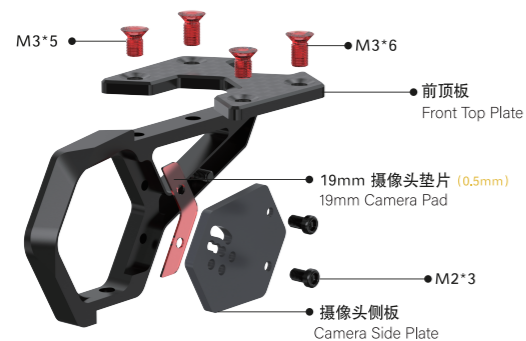
Master 5 HD

\*Product pictures are for 3D effect reference. Details are in accordant with the actual products.  
\*(注: 3D效果需求, 具体以实物为准)



Speedy Bee

2 安装前顶板  
Front Top Plate



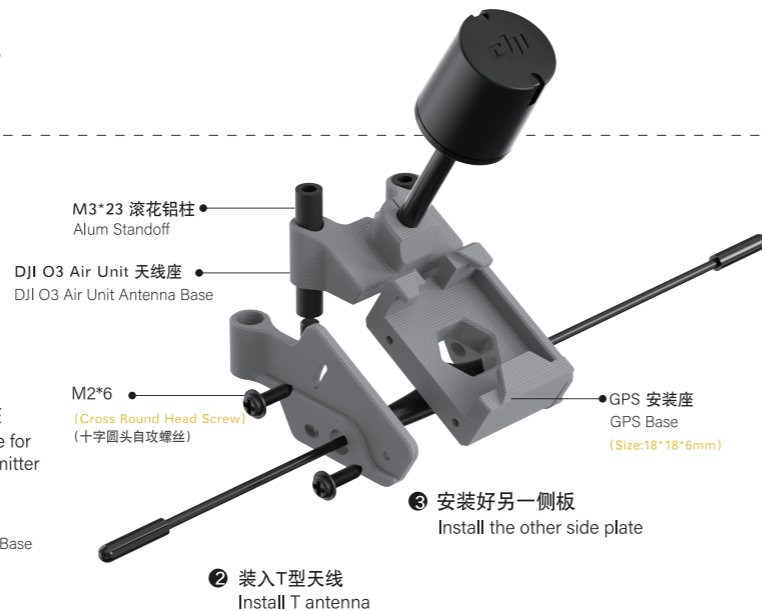
1 选择同一侧配件, 按摄像头的尺寸选择安装  
Choose accessories of the same side, install based on camera size.

1

CNC Front Head and Camera Part  
CNC机头及摄像头侧板安装

\*Using 20mm-wide camera by default. If using 19mm-wide camera, please add 0.5mm pad between camera side plate and CNC part.

\*(注: 默认使用为20mm宽摄像头。使用19mm摄像头时, 请在摄像头侧板与CNC件之间增加0.5mm摄像头垫片)



1 安装好单侧板与GPS座  
Install one side plate with GPS base

\*(注: 装配示意图, 机架不包含天线)  
\*Picture is for reference only. Frames do not include any antenna.

3

Arms and Anti-vibration  
机臂与减震安装



4 同样方式安装好4个机臂  
Same way to install the 4 arms

1 螺丝依次穿过底板及机臂相交位置  
Screw through the bottom plate and arms

4

Mid plate  
安装中板

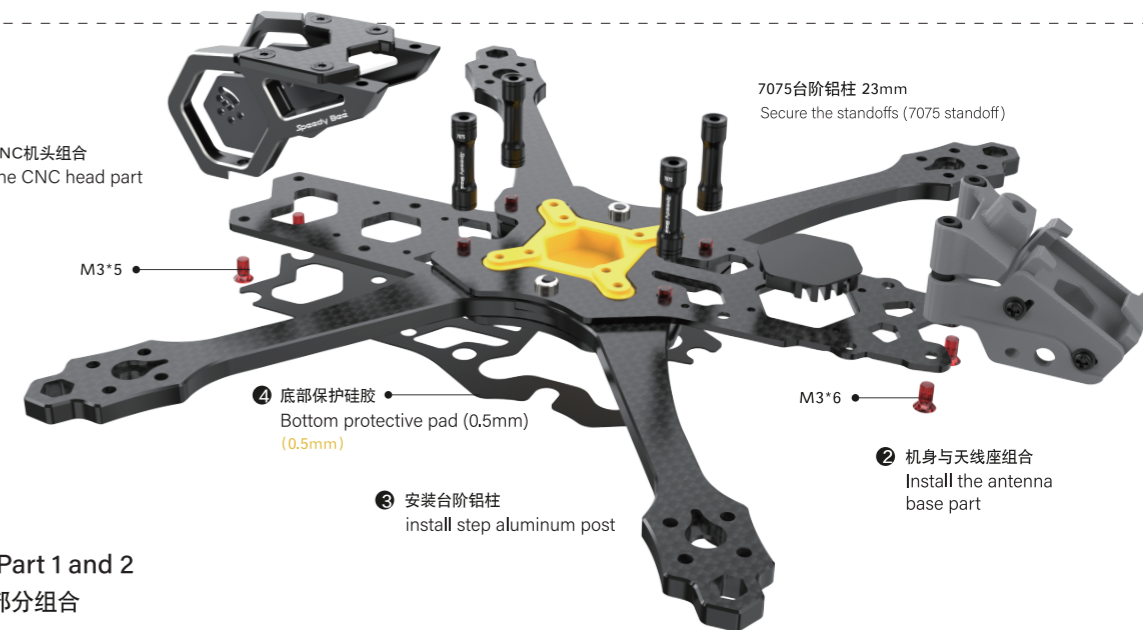
\*Make sure the 4 screws on arms are secured.

\*注 (确保机臂上的4颗螺丝都完全上紧。)

1 机身与CNC机头组合  
Install the CNC head part

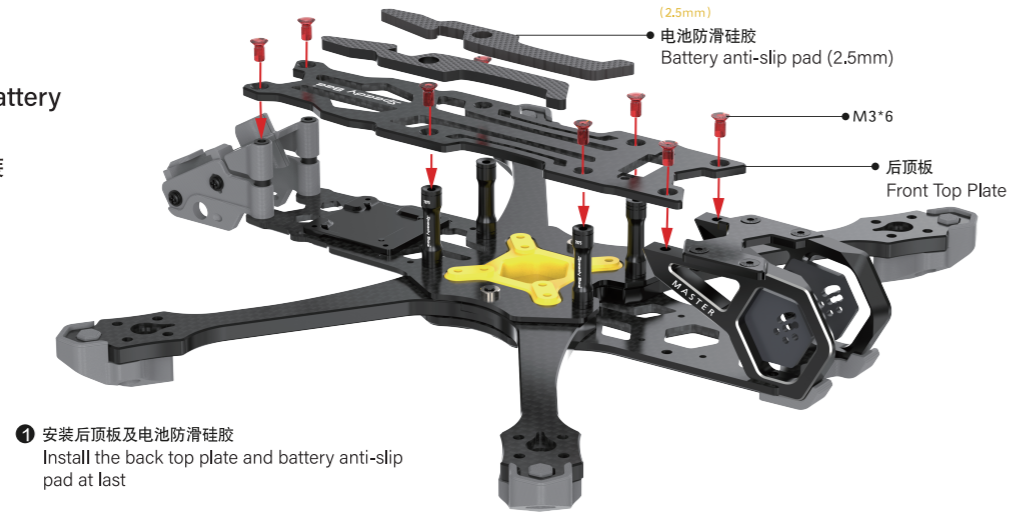
5

Combine with Part 1 and 2  
与完成的1、2两部分组合

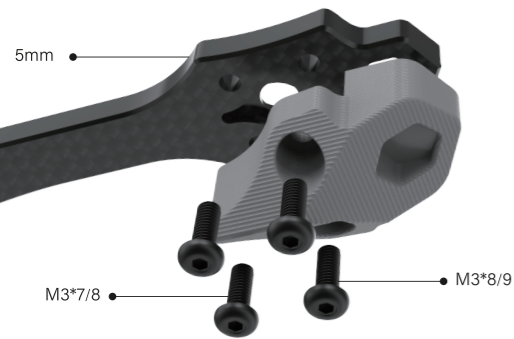


6

Back top plate and battery anti-slip pad  
后顶板及电池防滑胶安装



1 把3D打印保护脚架安装到机臂上  
Install the foot mount to arm



2 按电机螺丝固定座的高度选择适合长度的螺丝  
Use the screws of proper length based on the fixing screws for motors

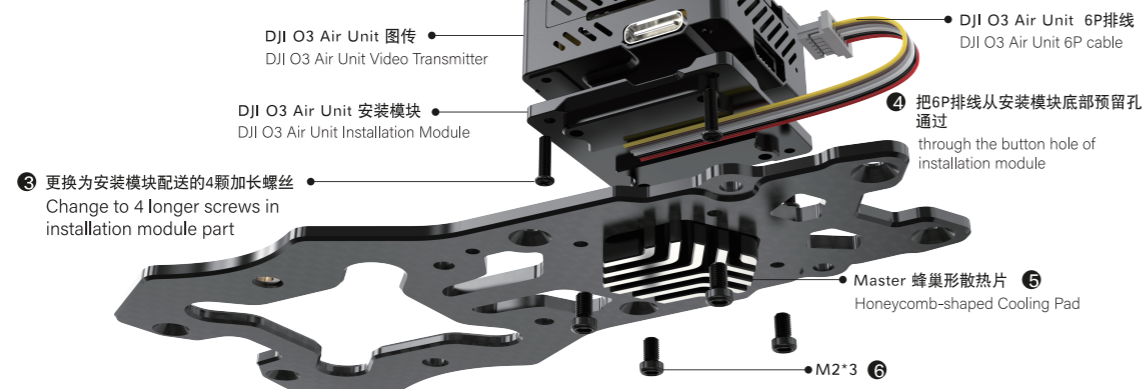
\*(注: 螺丝长度以电机实际为准, 3D 打印件的螺丝需加长1mm)

\*Length of screw is up to used motor. Please add 1mm to length of screws for 3D printed mount.

7

Foot mounts  
机臂保护脚架安装方式

1 需拆下DJI O3 Air Unit 图传底部4颗原装螺丝  
Remove the 4 original screws at the bottom of the DJI O3 Air Unit



8

DJI O3 Air Unit  
DJI O3 Air Unit 安装方式

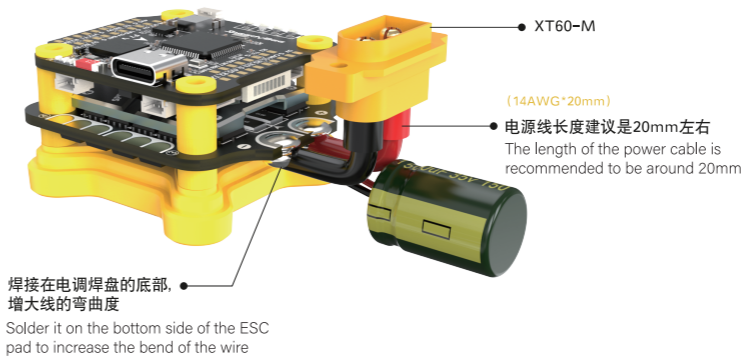
9

Recommend installing ESC by flipping horizontally (180°)  
建议电调选择水平180度反装

\*After flipping, must redefine the positions and directions of 1-4 motors.

\*注 (电调反装后, 切记重新定义1-4号电机的正确位置及转向。)

两种电源线安装方式: 1 2  
Two installation methods of power cable: 1 2



10

Welding of ESC and power cable  
电调电源线焊接

Speedy Bee®

请扫描二维码获取安装指南  
建议您通过SpeedyBee App 扫描以获取更详细的安装指南

Scan the QR code to get the installation guide.  
We recommend you scan it through the SpeedyBee App for detailed instructions.



SpeedyBee APP



Facebook QR Code



Installation guide