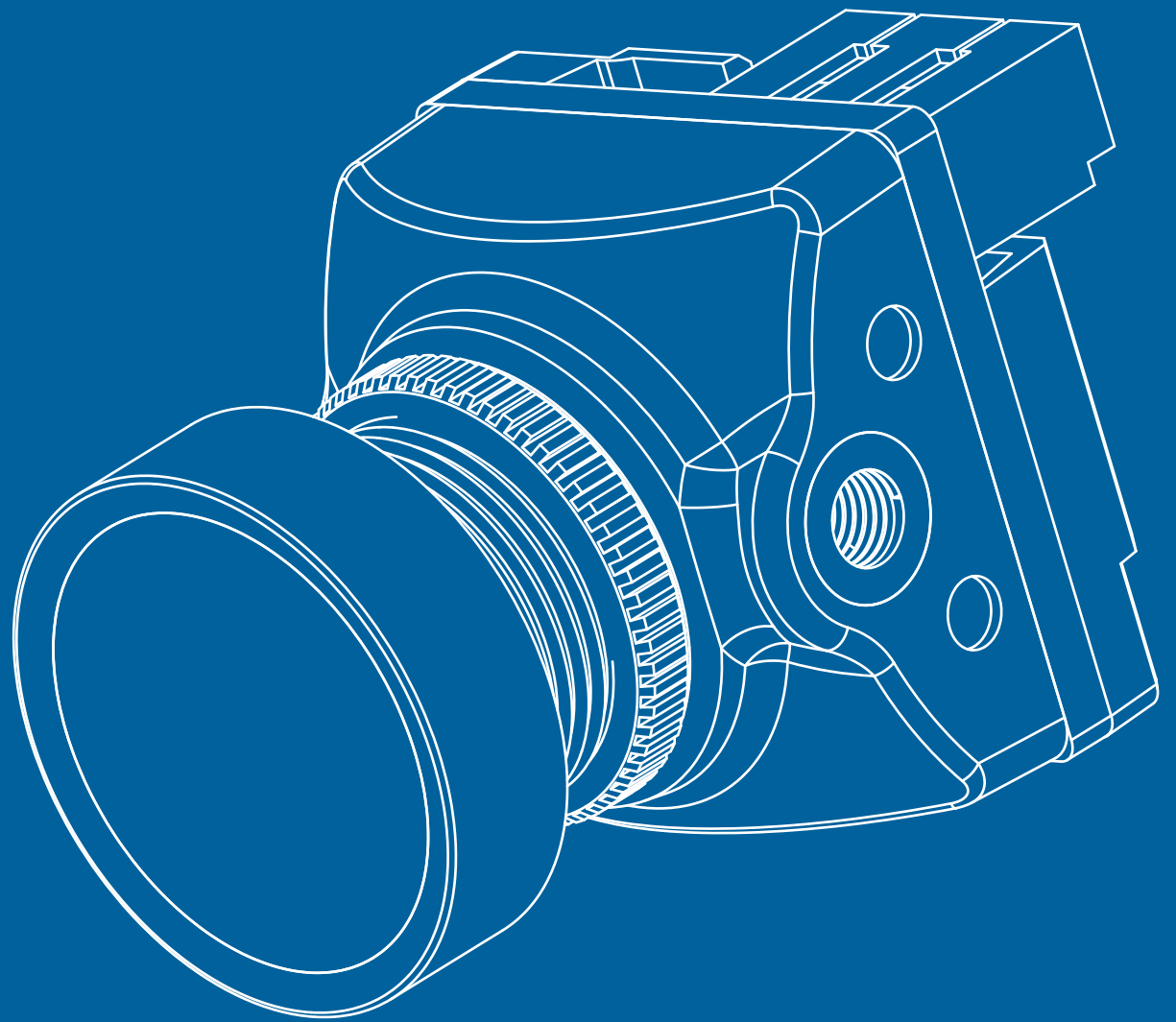


RUNCAM
RACER
NANO 4

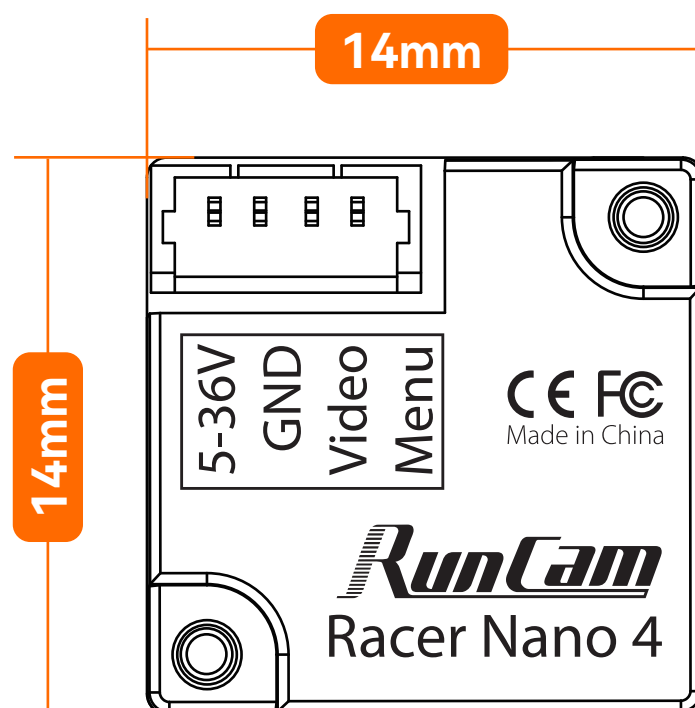
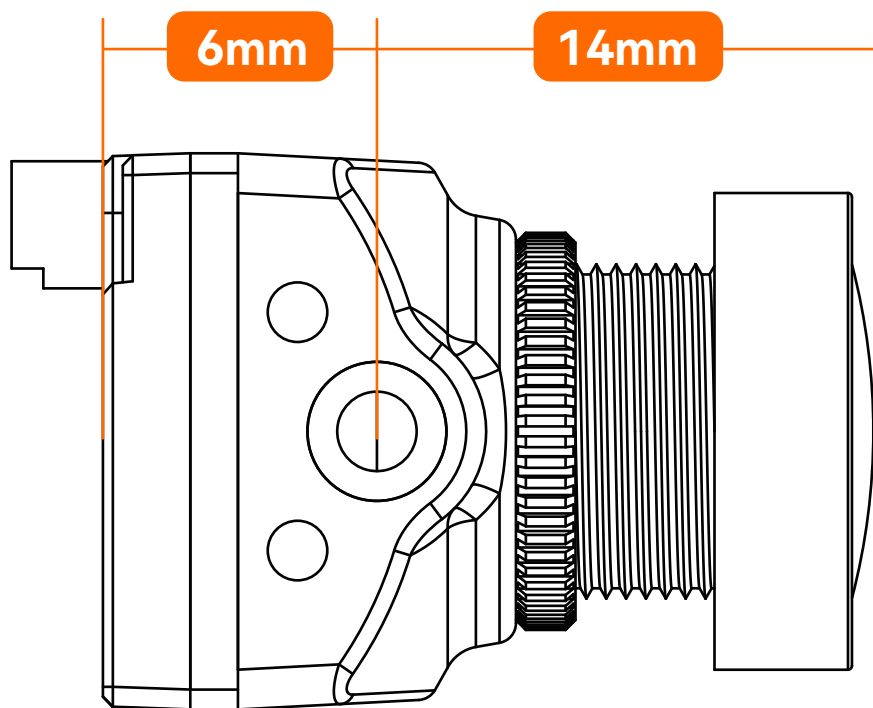
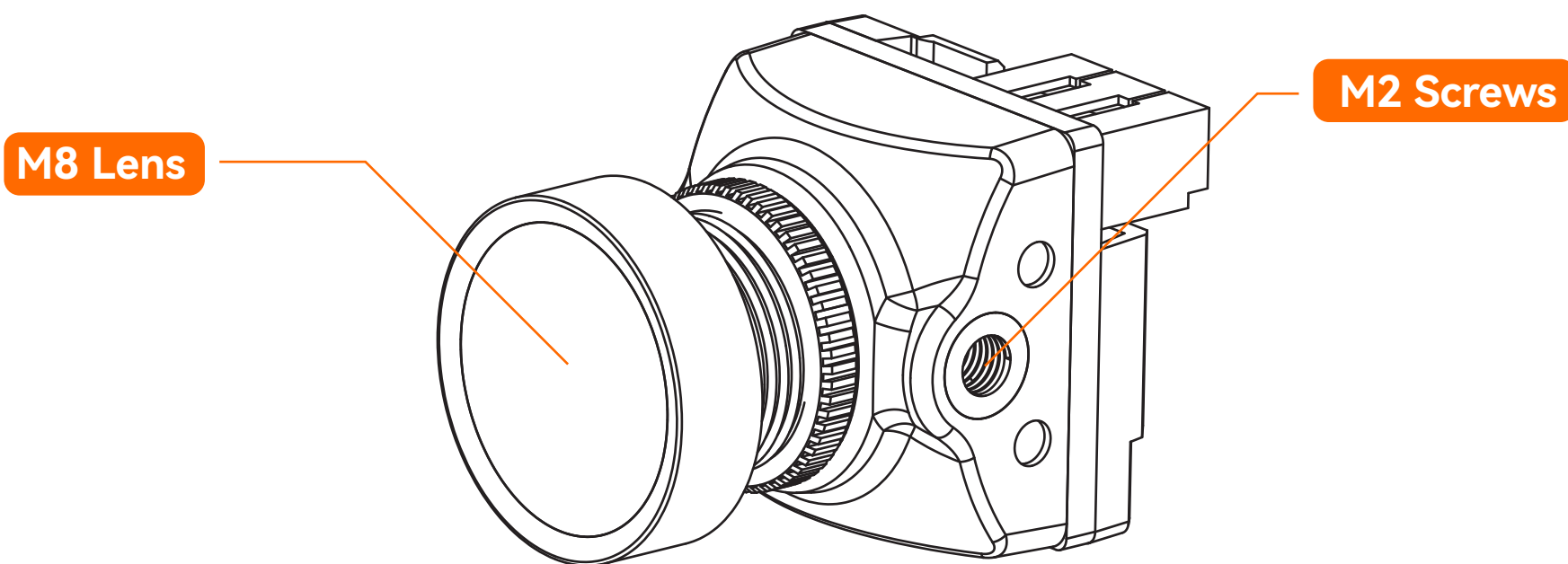


USER MANUAL

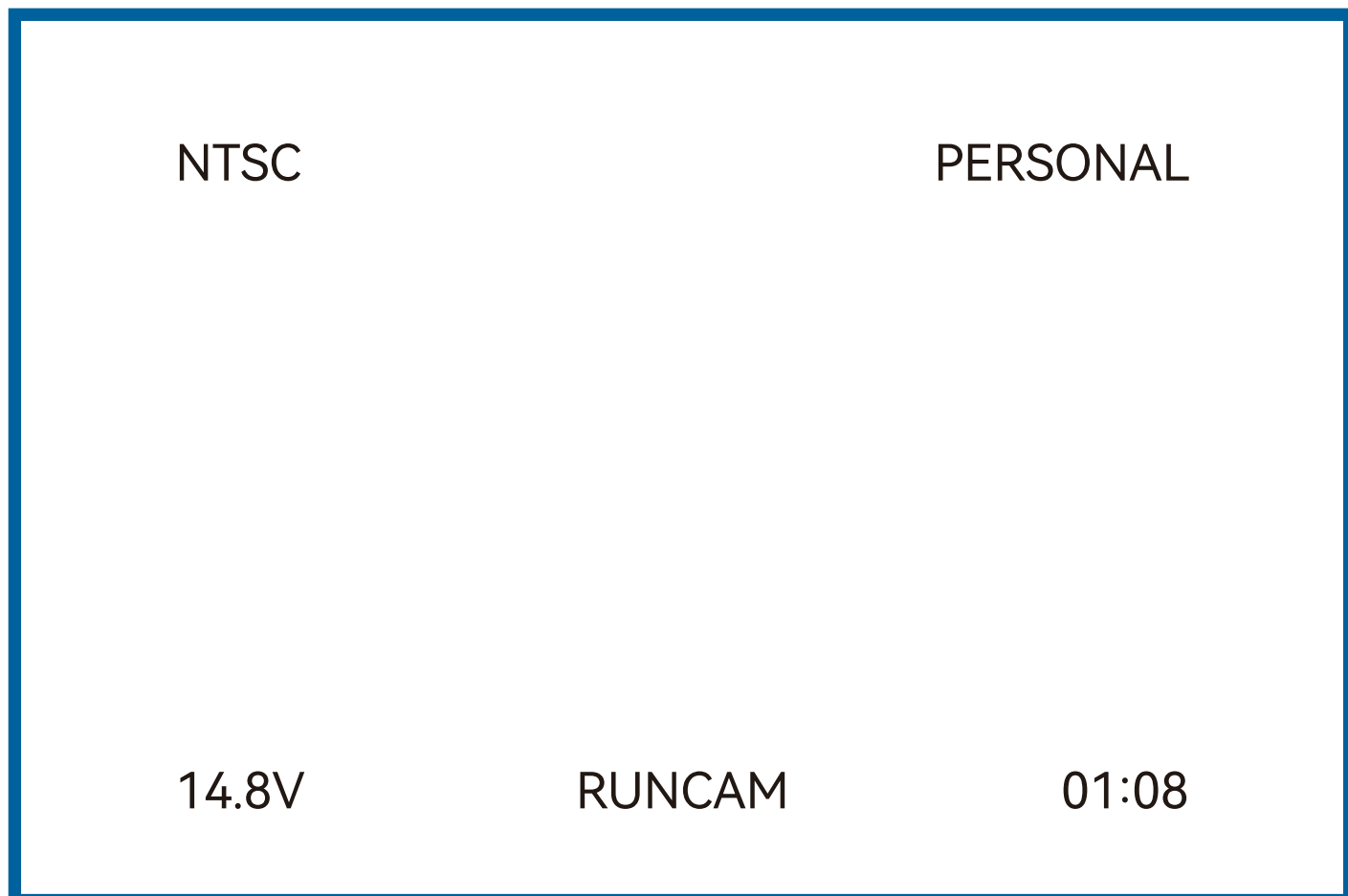
Waterproof design, professional LED lighting track mode, all-weather racing camera.



DIMENSIONS & INSTALLATION



OSD MENU QUICK SETTINGS



Quick settings:

- Long press UP button for three seconds to access to the OSD setting's screen
- Long press DOWN button for six seconds to reset OSD settings to default
- Long press RIGHT button for three seconds to switch between the camera presets

OSD MENU QUICK SETTINGS

1 2 3 4 5 6 7 8 9 0 A B C D E F G H I J
K L M N O P Q R S T U V W X Y Z & : = . /

CLR		RUNCAM_ _ _
PILOT	:	ON
TIMER	:	ON
VOLTAGE	:	ON
WIDESCREEN	:	OFF
SYSTEM	:	NTSC
EXIT		

- CLR: clear the ID character;

CAMERA MENU SETUP MENU

SETUP MENU

PICT ADJUST



WHITE BAL

ATW

LANGUAGE

ENGLISH

CAMERA RESET

YES



EXIT

SETUP MENU:

- LANGUAGE (ENGLISH / DEUTSCH / FRANCAIS / PYCCKNN / PORTUGUES / ESPANOL / 中文)
- WHITE BAL (ATW / PUSH / USER1 / USER2 / MANUAL / PUSH LOCK)

CAMERA MENU SETUP MENU

PICT ADJUST

FLIP		OFF
BRIGHTNESS	128
CONTRAST	138
SHARPNESS	128
HUE	090
COLOR GAIN	138
RETURN	←	

PICT ADJUST:

- FLIP (OFF / H-FLIP / V-FLIP / HV-FLIP)
- BRIGHTNESS (128 / 0-255)
- CONTRAST (138 / 0-255)
- SHARPNESS (128 / 0-255)
- HUE (90 / 0-180)
- COLOR GAIN (138 / 0-255)

SPECIFICATIONS

Model	RunCam Racer Nano4	
Image Sensor	Super WDR CMOS Sensor	
Horizontal Resolution	1200TVL	
Lens	FOV D:160° H:125° V:97°	
Screen Format	4:3 / Widescreen Switchable	
Mirror/Flip	Available	
Signal System	NTSC/PAL	
Shutter	Rolling Shutter	
WDR	Super WDR	
Day/Night	Color	
Menu Control	Cable Control	
Power	DC 5-36V	
Current	120mA@5V	70mA@12V
Housing Material	ABS	
Net Weight	4.5g	
Dimensions	14mm*14mm*20mm	