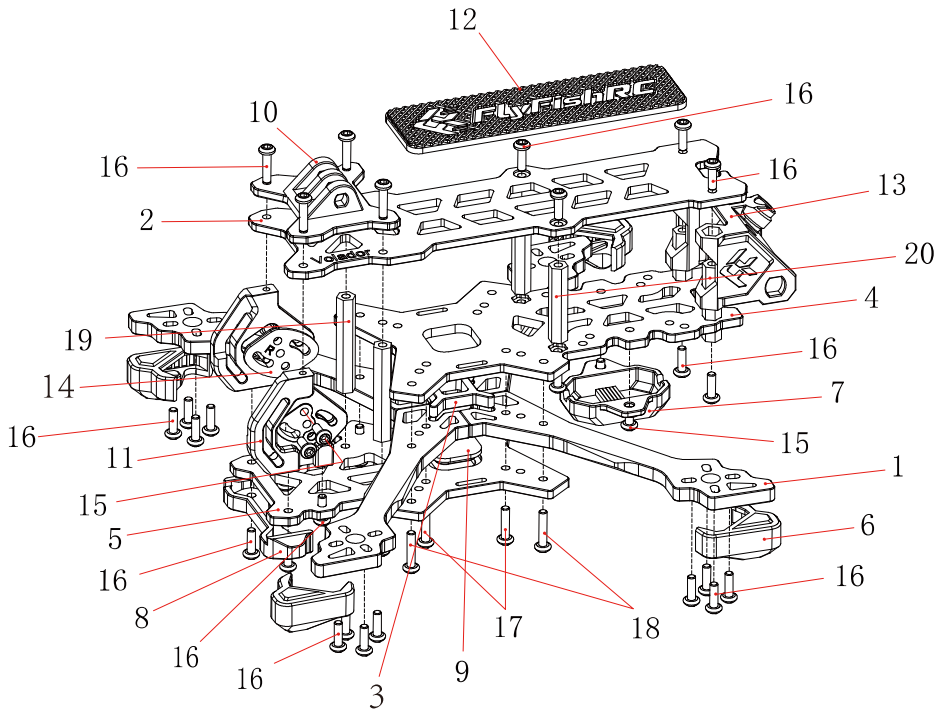


VOLADOR

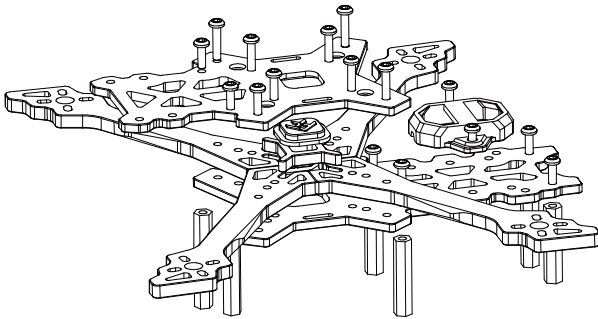


VX3/VX3.5 Frame Instructions

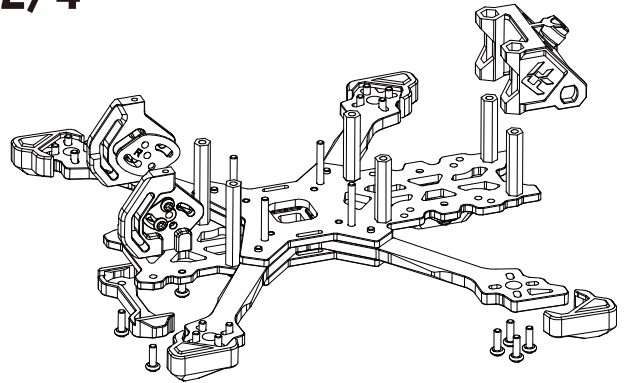


1. 3.5mm Arm x4
2. 2mm Top Plate x1
3. 3.5mm Keystone x1
4. 2.5mm Middle Plate x1
5. 2.5mm Bottom Plate x1
6. Arm Guard TPU x4
7. Receiver Holder x1
8. Front Bumper TPU x1
9. LED Silicone Logo x1
10. Base Mount x1
11. CNC Camera Mount x2
12. Battery Anti-Slip Pad x1
13. Antenna TPU+RX TPU x1
14. Vibration Silicone Dampers x2
15. M2*5 Screw x4
16. M2*6 Screw x34
17. M2*8 Screw x4
18. M2*9 Screw x4
19. M2*25 Hex Al.Standoff x2
20. M2*20 Hex Al.Standoff x4

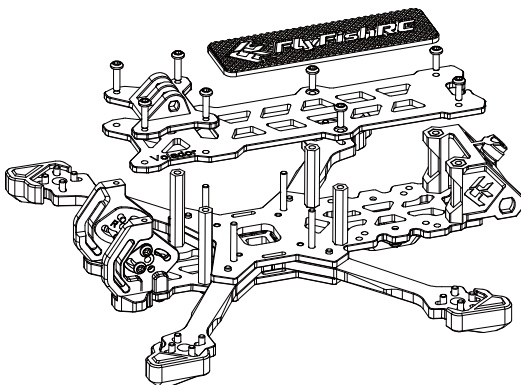
1/4



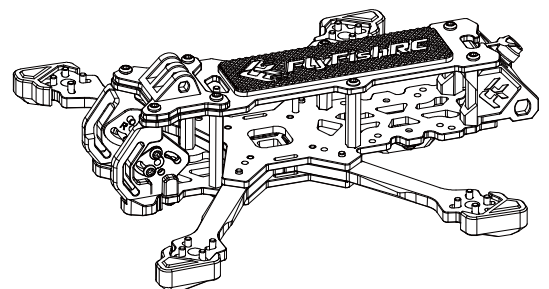
2/4



3/4

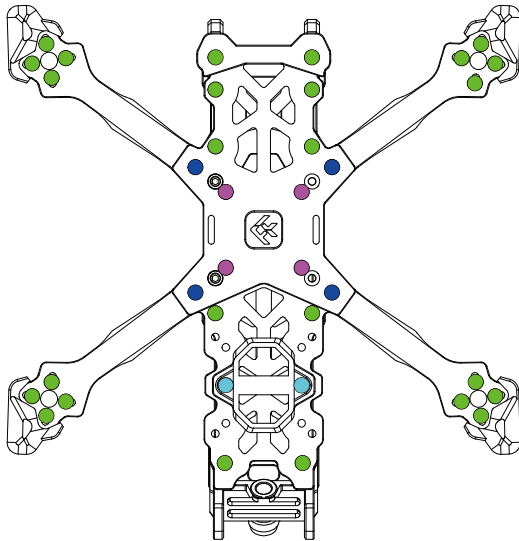
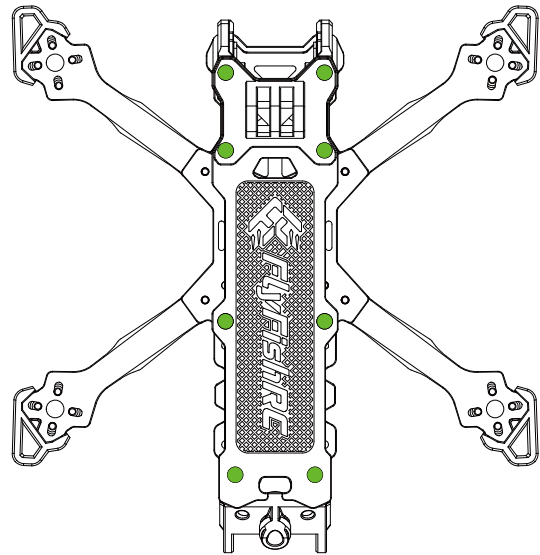


4/4



Top mounting diagram

- M2*6 Screw x34



Bottom mounting diagram

- M2*6 Screw x34
- M2*9 Screw x4
- M2*8 Screw x4
- M2*5 Screw x4

