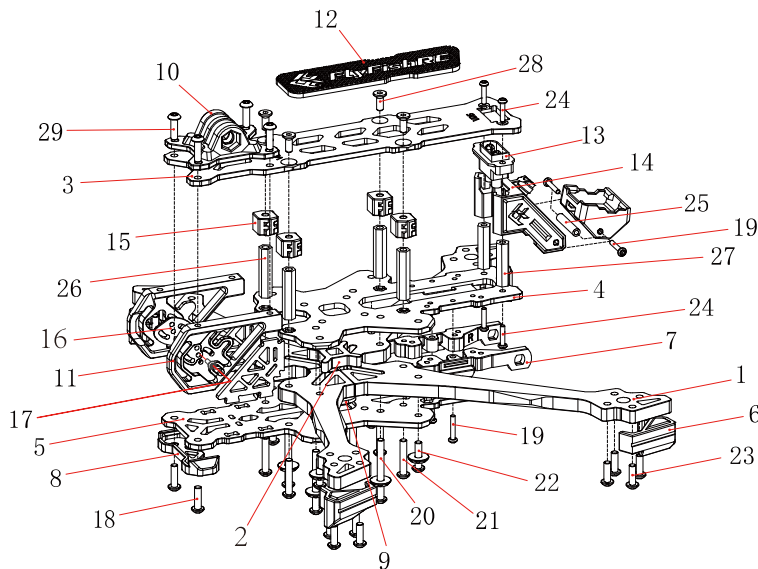


VOLADOR II

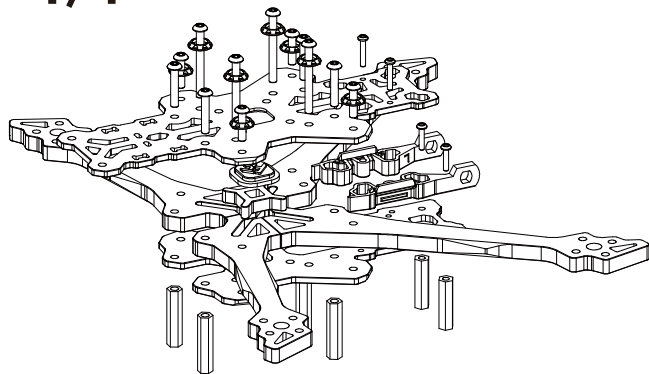


VD5/VD6 Frame instructions

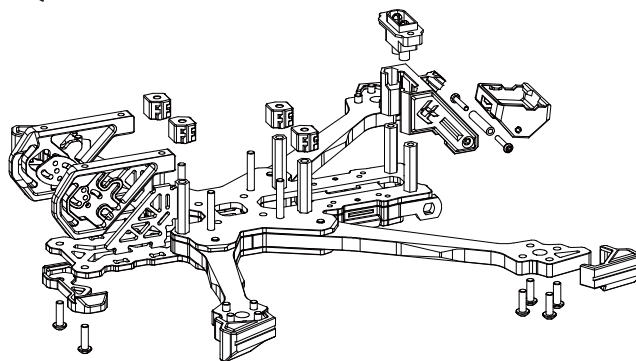


- | |
|---|
| <ol style="list-style-type: none"> 1. 6mm Arm x4 2. 5mm Keystone x1 3. 2.5mm Top Plate x1 4. 2.5mm Middle Plate x1 5. 2.5mm Bottom Plate x1 |
| <ol style="list-style-type: none"> 6. Arm Guard TPU x4 7. 915 Antenna TPU x2 8. Front Bumper TPU x1 9. Silicone LED Logo x1 10. GoPro Base Mount x1 11. CNC Camera Mount x2 12. Battery Anti-Slip Pad x1 13. XT60EW-M Connector x1 14. Antenna TPU+GPS TPU x1 15. Al.Standoff Ratchet TPU x4 16. Silicone Vibration Dampers x2 |
| <ol style="list-style-type: none"> 17. M2*5 Screw x4 18. M3*8 Screw x6 19. M2*12 Screw x4 20. M3*28 Screw x4 21. M3*16 Screw x4 22. M3*12 Screw x8 23. M3*9 Screw x16 24. M2.5*9 Screw x4 25. M2*18 Hex Al.Standoff x1 26. M3*23 Hex Al.Standoff x4 27. M2.5*20 Hex Al.Standoff x2 28. M3*8 Countersunk Screw x4 29. M3*10 Screw w/Damping Ring x4 |
| <p>Additional Parts:</p> <ol style="list-style-type: none"> 1. Battery Strap x2 2. FlyFishRC Sticker x1 |

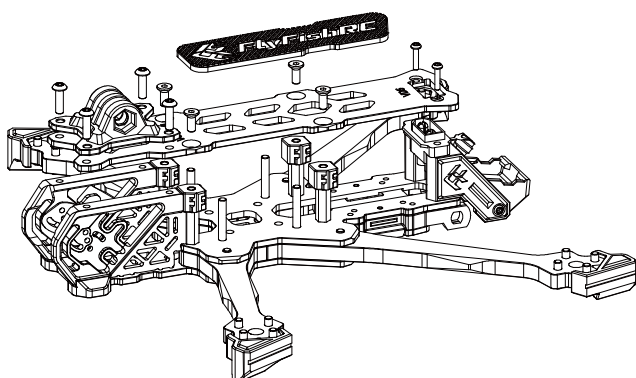
1/4



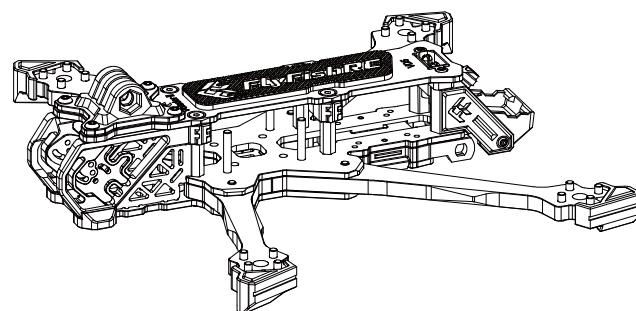
2/4



3/4

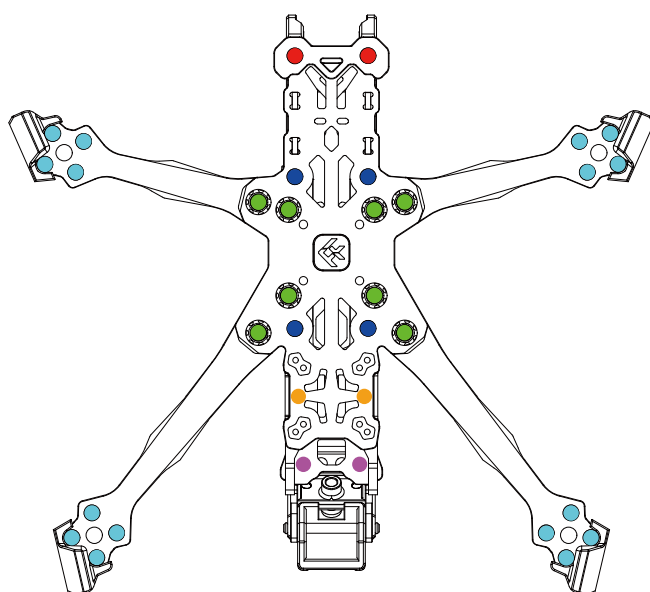
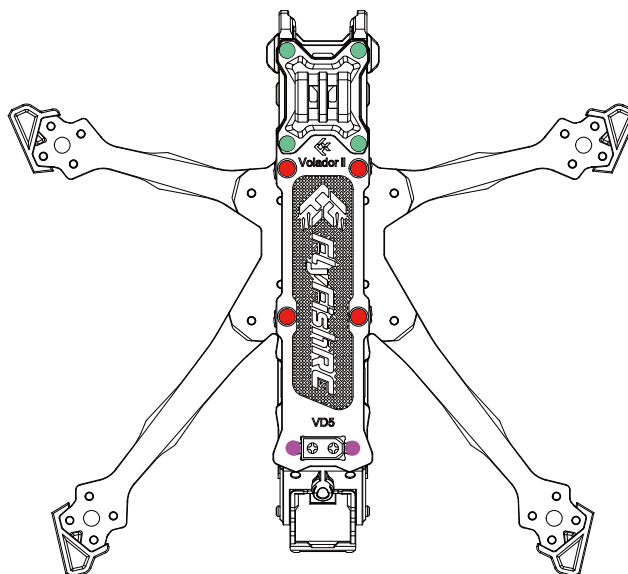


4/4



Top mounting diagram

- M3*8 screw x10
- M2.5*9 screw x4
- M3*10 screw w/damping ring x4
(if not install Gopro base, change to M3*8)



Bottom mounting diagram

- M3*8 screw x10
- M3*12 screw x8
- M3*16 screw x4
- M2.5*9 screw x4
- M3*10 screw x16
- M2*12 screw x2

