



Thank you for choosing Tilta products. This content has been created in regards to your safety, responsibilities, and legal rights as the customer. Please carefully read the text prior to using the product to ensure that you fully understand the correct procedures and safety precautions before use. Tilta technology CO., Ltd. reserves the right to final interpretation of this content and other related information. Potential updates to the product may occur without prior notice. Please visit [www.tilta.com](http://www.tilta.com) for the latest product information.

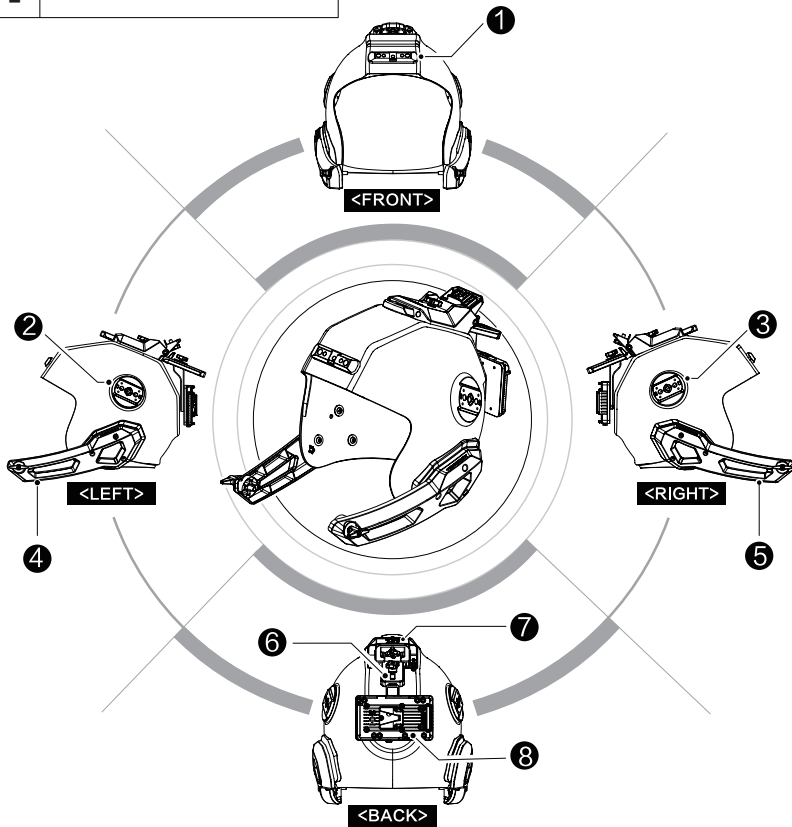
Please do not carry out any unauthorized repair to Hydra Alien Car Mounting System or change its mechanical structures. Any unauthorized operation may cause damage to the product. Tilta technology Co., Ltd will not take responsibility for any damage that was caused by unauthorized operation.

By using this product, you will be regarded as understanding this disclaimer as well as accepting of all policies and regulations put forth by Tilta technology Co., Ltd.

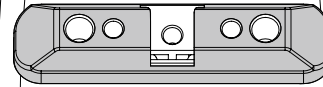
Tilta is a registered trademark that belongs to Tilta technology Co., Ltd and its subsidiary company. All product and brand names that are mentioned in this content belong to Tilta technology Co., Ltd and its subsidiary company.

# 11

## OVERVIEW I.

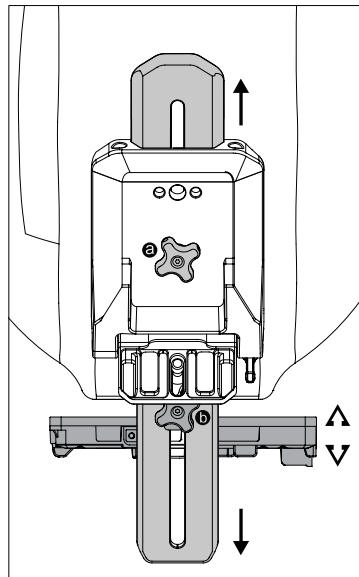


- 1 Top attachment
- 2 Side attachment [left]
- 3 Side attachment [right]
- 4 Left side rosette mounting arm for Hermit POV support system
- 5 Right side rosette mounting arm for Hermit POV support system
- 6 Balance slider
- 7 1/4" -20 screw hole with locating points
- 8 V-mount or gold mount battery plate



### Top Attachment [Front]

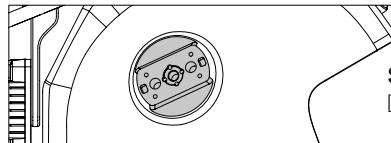
There are built-in cold shoe mount, 1/4" -20, and 3/8" -16 screw holes. Supports mounting of accessories such as articulating arms, monitor bracket, and phone holder. Easy setup for viewing and operating.



### Balance Slider [Top]

1. Loosen **3** the tie down screw to slide and adjust the center of gravity.

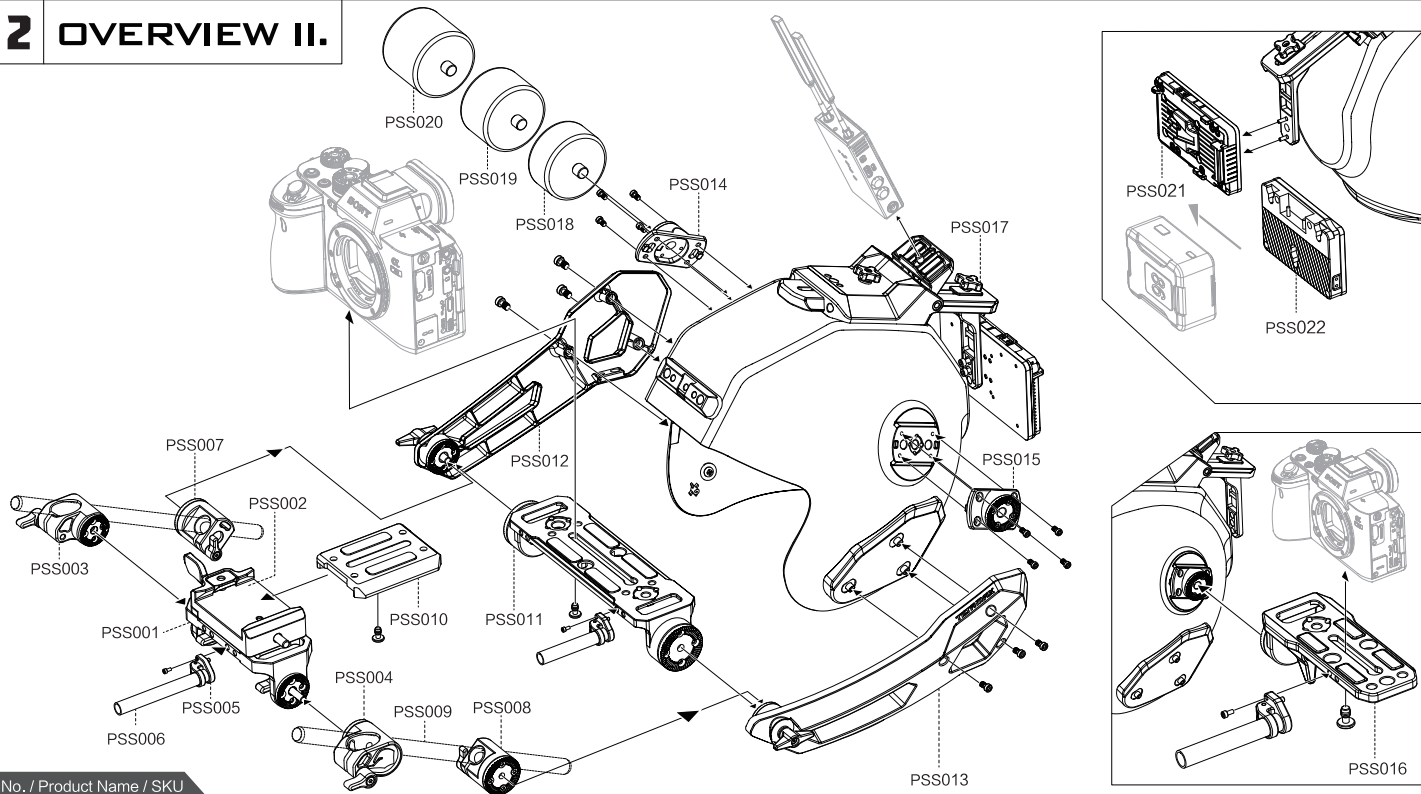
2. Loosen **1** the tie down screw to slide and adjust battery plate's center of gravity.



### Side Attachment [Side]

The side has built-in 1/4" -20 screw holes for mounting accessories. It can also mount rosette adapter attachment for installing accessories with rosette mount.

# 12 OVERVIEW II.

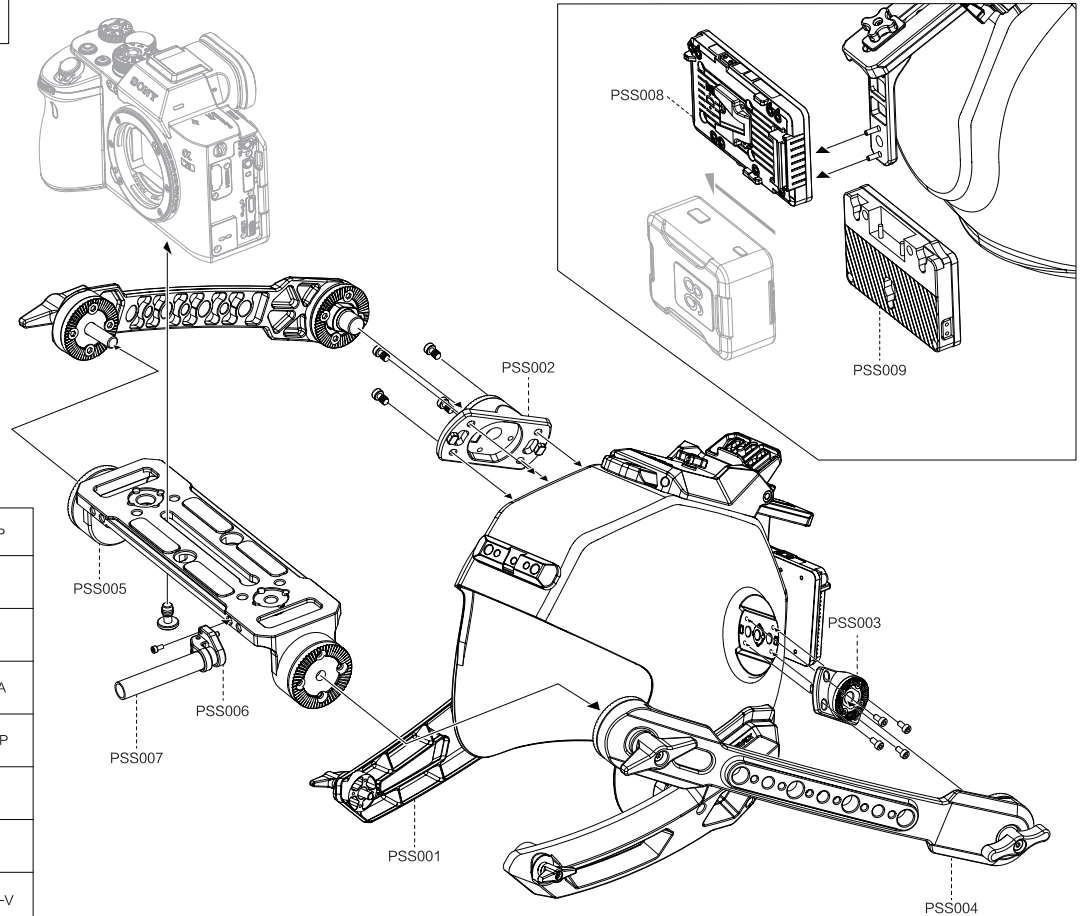


No. / Product Name / SKU

PSS001	Dual Rosette Adjustable Mounting Plate	TA-HR-AMP	PSS007	Left Side Rosette to 15mm Rod Holder Attachment	----	PSS013	Right Side Rosette Mounting Arm for Hermit POV Support System	TA-HR-RMR	PSS019	500g Counterweight	TA-HR-CW-500
PSS002	Quick Release Plate Receiver for Adjustable Mounting Plate	TA-HR-QRPR	PSS008	Right Side Rosette to 15mm Rod Holder Attachment	----	PSS014	Left Side Rosette Adapter Attachment	----	PSS020	1000g Counterweight	TA-HR-CW-1000
PSS003	Dual Rosette Adjustable Mounting Plate Left Side Attachment	----	PSS009	15mm Aluminum Rod (200mm)	R15-200-B	PSS015	Right Side Rosette Adapter Attachment	----	PSS021	V Mount Battery Plate for Hermit POV Support System	TA-HR-BP-V
PSS004	Dual Rosette Adjustable Mounting Plate Right Side Attachment	----	PSS010	Quick Release Plate for Adjustable Mounting Plate	TA-HR-QRP	PSS016	Rosette Side Mounting Plate for Hermit POV Support System	TA-HR-SMP	PSS022	Gold Mount Battery Plate for Hermit POV Support System	TA-HR-BP-AB
PSS005	15mm Rod Adapter for Rosette Mounting Plate	TA-HR-RA	PSS011	Dual Rosette Mounting Plate for Hermit POV Support System	TA-HR-DMP	PSS017	Foam Padding for Hermit POV Support System	TA-HR-HFP			
PSS006	15mm Aluminum Rod (100mm)	R15-100-B	PSS012	Left Side Rosette Mounting Arm for Hermit POV Support System	TA-HR-LMR	PSS018	250g Counterweight	TA-HR-CW-250			

# 13

## OVERVIEW III.



### No. / Product Name / SKU

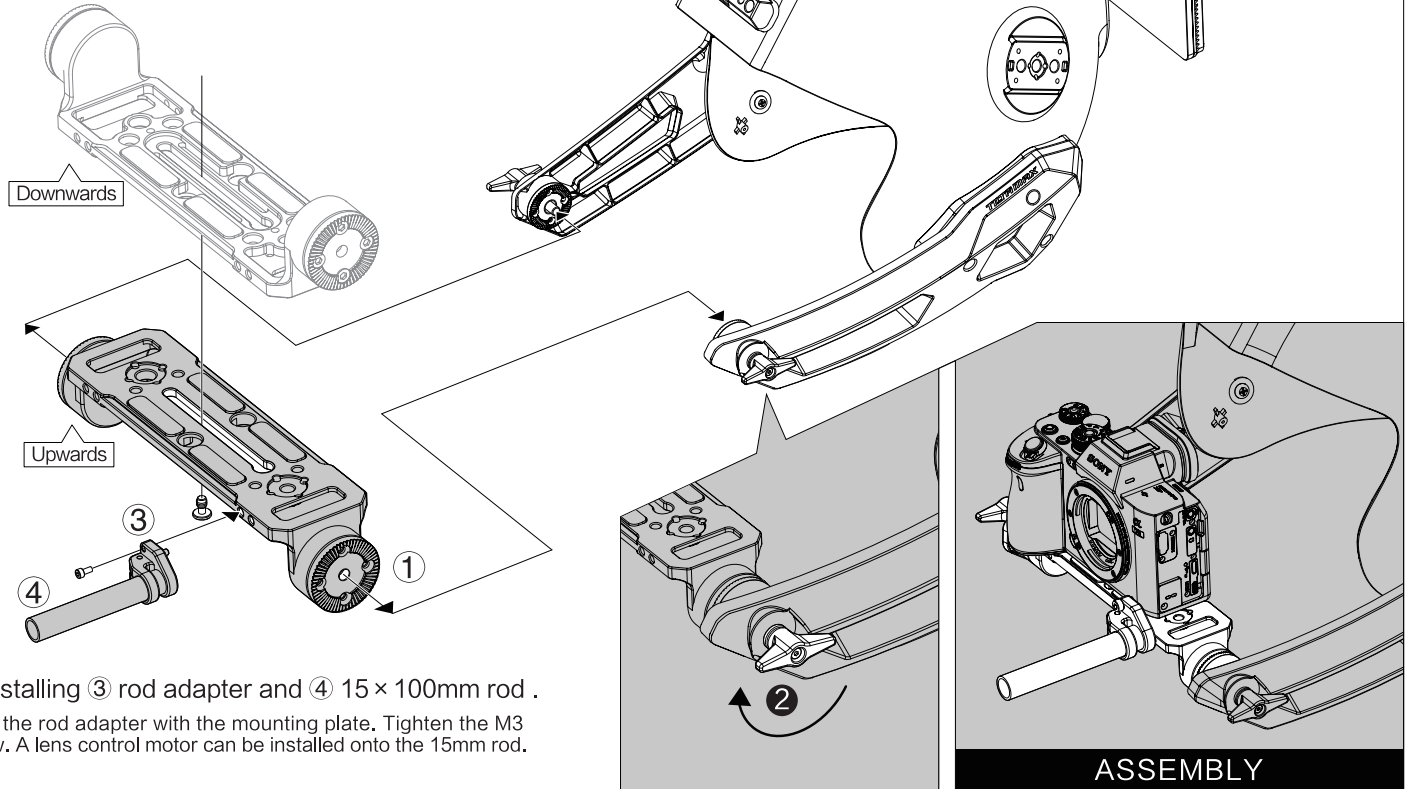
PSS001	Foam Padding for Hermit POV Support System	TA-HR-HFP
PSS002	Left Side Rosette Adapter Attachment	----
PSS003	Right Side Rosette Adapter Attachment	----
PSS004	Rosette Extender Arm for Hermit POV Support System	TA-HR-REA
PSS005	Dual Rosette Mounting Plate for Hermit POV Support System	TA-HR-DMP
PSS006	15mm Rod Adapter for Rosette Mounting Plate	TA-HR-RA
PSS007	15mm Aluminum Rod (100mm)	R15-100-B
PSS008	V Mount Battery Plate for Hermit POV Support System	TA-HR-BP-V
PSS009	Gold Mount Battery Plate for Hermit POV Support System	TA-HR-BP-AB

# 14 BASIC FRONT CONFIGURATION

## 1. Installing ① dual rosette mounting plate.

Place the dual rosette mounting plate in between the left and right side rosette mounting arms. Tighten the ② rosette tie down screws.

[ NOTE: The dual rosette mounting plate can be installed upwards or downwards for your viewing needs.]



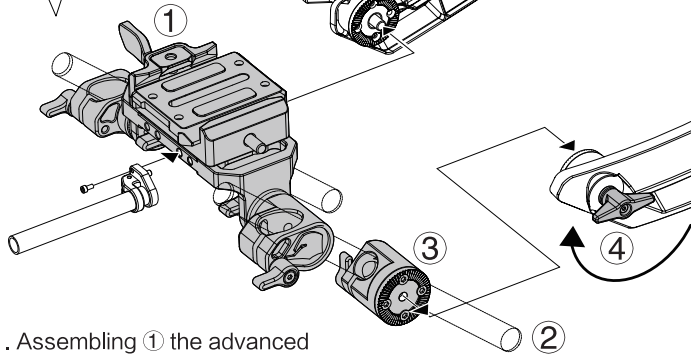
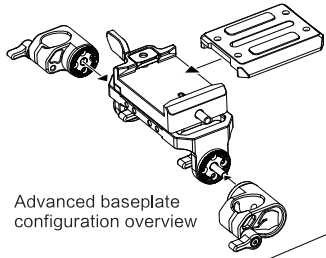
## 2. Installing ③ rod adapter and ④ 15 × 100mm rod .

Align the rod adapter with the mounting plate. Tighten the M3 screw. A lens control motor can be installed onto the 15mm rod.

ASSEMBLY

# 15

## ADVANCED FRONT CONFIGURATION



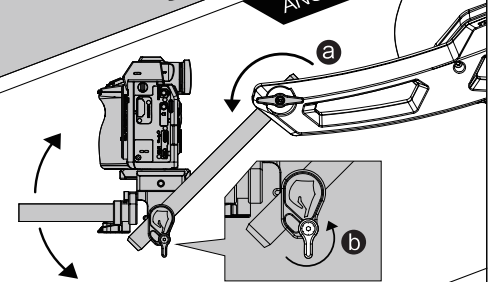
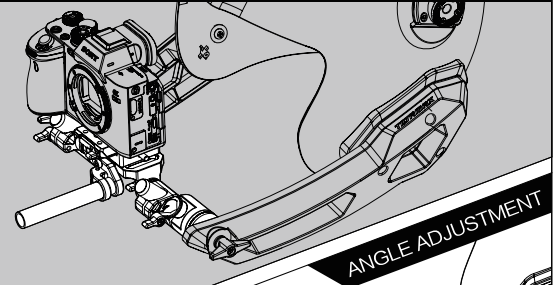
1. Assembling ① the advanced baseplate configuration.

(1) Connect the advanced baseplate configuration with ③ the left/right side rosette to 15mm rod holder attachment via ③ the 15 × 200mm rods.

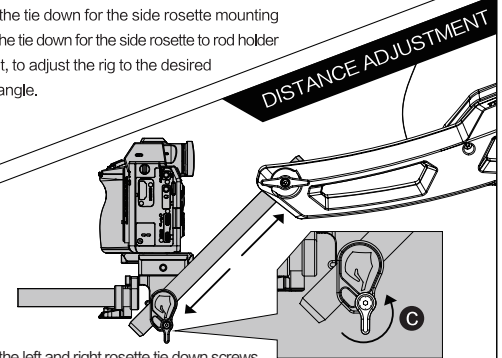
(2) Place the advanced baseplate configuration in between the left and right rosette mounting arms and align the rosettes. Tighten ④ the tie down screws for the rosettes.

2. To mount lens control motor, a 15mm rod holder and a 15 × 100mm rod can mounted to the front of the baseplate.

## ASSEMBLY



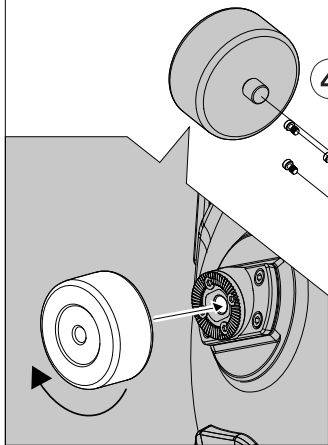
Loosen ② the tie down for the side rosette mounting arm, or ③ the tie down for the side rosette to rod holder attachment, to adjust the rig to the desired operating angle.



Loosen ③ the left and right rosette tie down screws for the dual rosette mounting plate left and right side attachments to adjust the rig's distance to the desired operating angle.

# 16

## SIDE CONFIGURATION



### 1. Assembling ① left and right side rosette adapter attachments.

(Please pay attention to the left and right directions.)

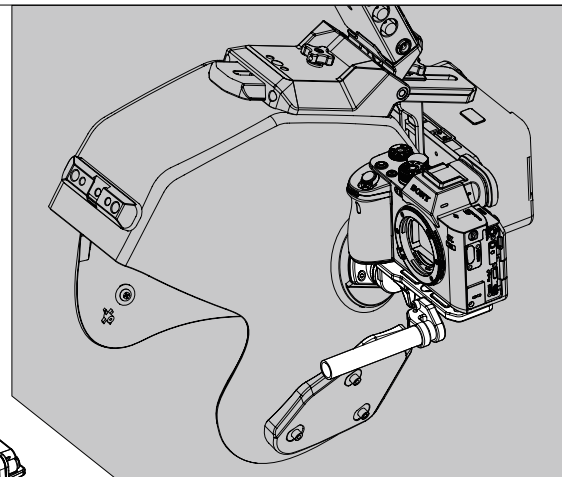
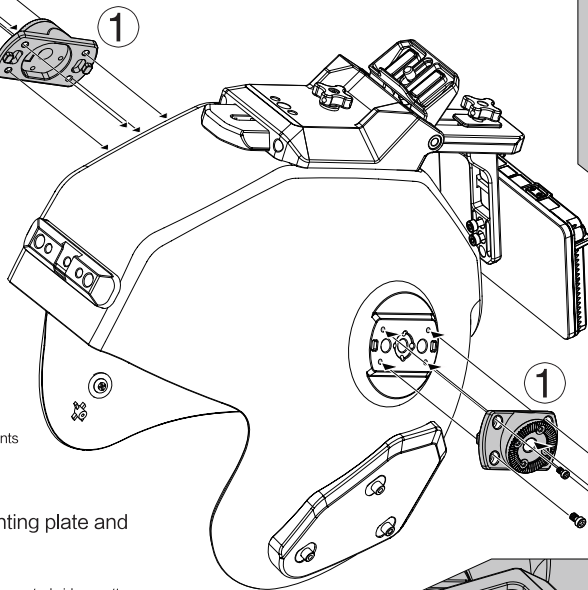
Align the left and right side rosette adapter attachments with the helmet and insert the 1/4" -20 screws. Tighten the tie down screws.

### 2. Installing ② the rosette side mounting plate and ④ counterweight.

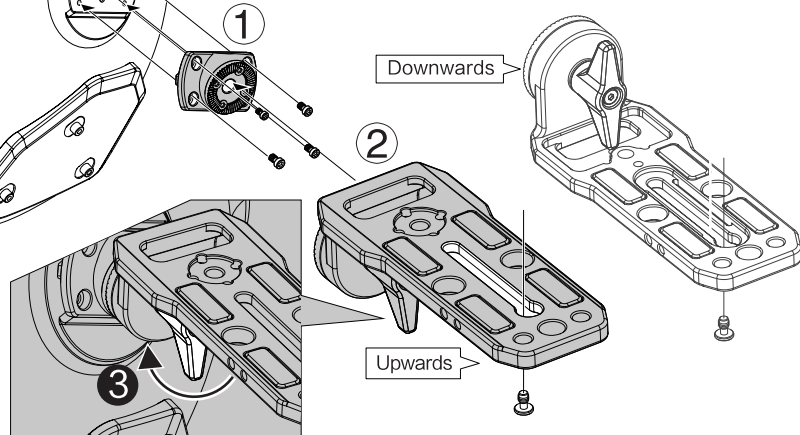
Install the rosette side mounting plate to the already mounted side rosette adapter attachments. Tighten the tie down screws. Balance the center of gravity with counterweight on the other side.

(The rosette side mounting plate can be installed upwards or downwards according to the setup needs.)

(Please choose the propriate counterweight according to the setup needs.)

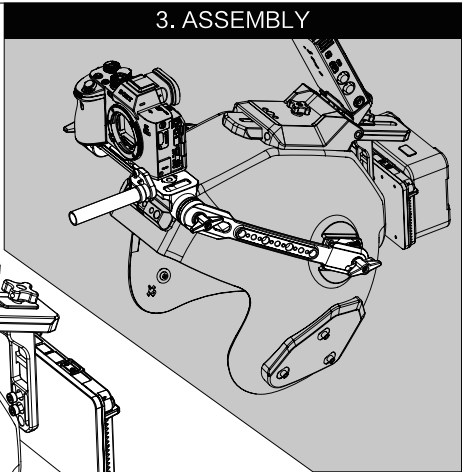
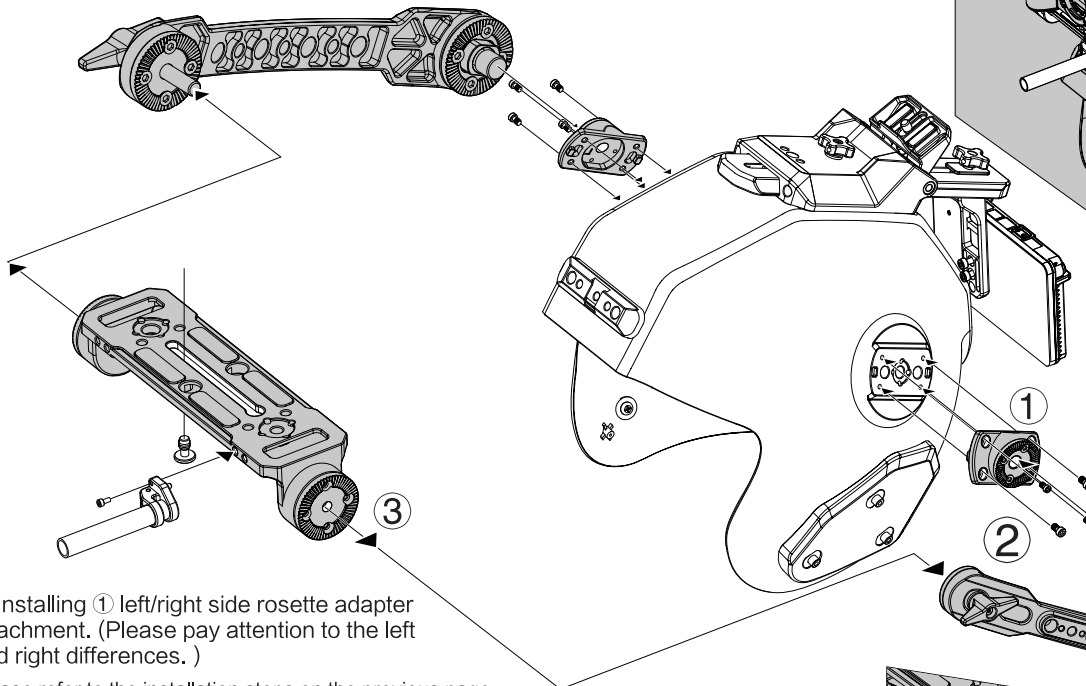


3. The assembled configuration.





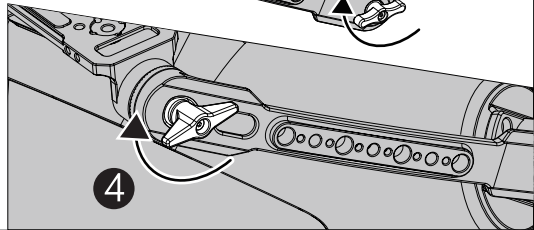
# 17 BASIC TOP CONFIGURATION

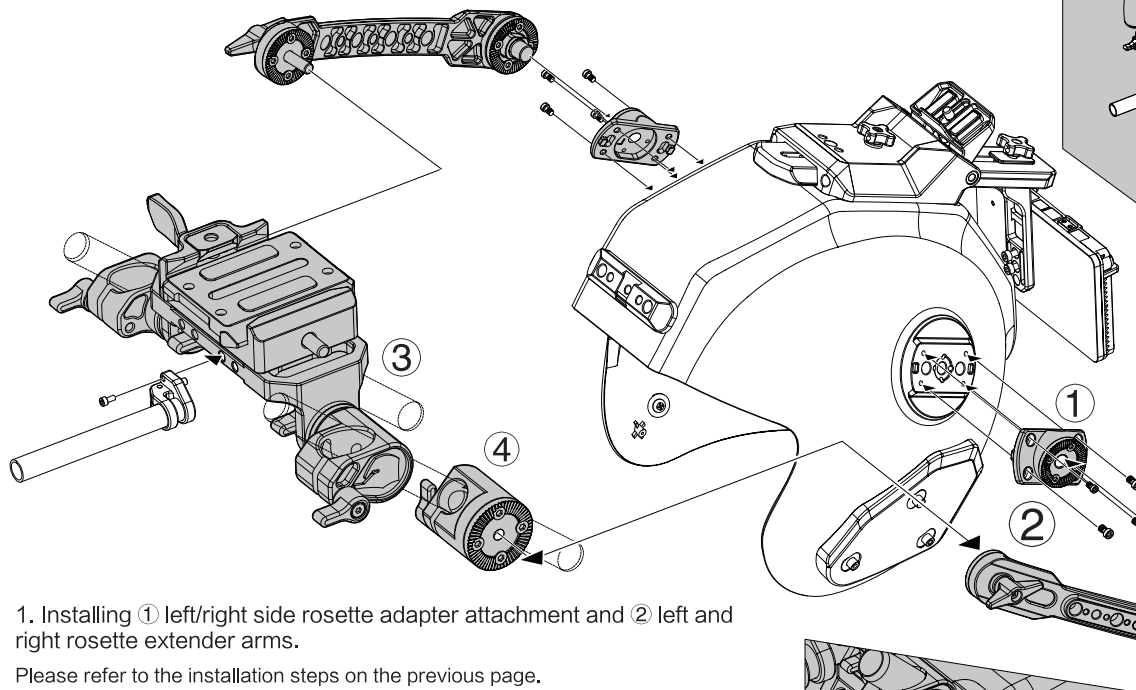


1. Installing ① left/right side rosette adapter attachment. (Please pay attention to the left and right differences. )

Please refer to the installation steps on the previous page.

2. Installing ② rosette extender arms and ③ dual rosette mounting plate. Align the rosettes on the rosettes extender arms and the rosettes on the left and right side rosette adapter attachment on the helmet. Tighten the tie down screws. Align the dual rosette mounting plate with the rosette extender arms. Tighten ④ the tie down screws to complete the top configuration.





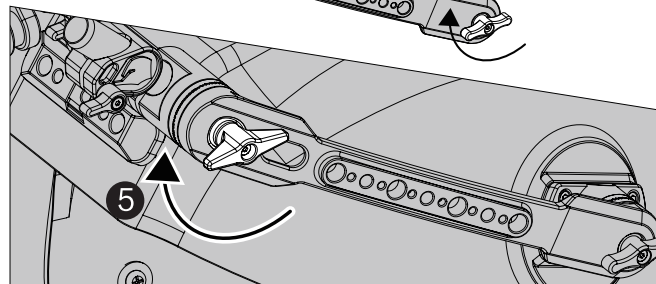
1. Installing ① left/right side rosette adapter attachment and ② left and right rosette extender arms.

Please refer to the installation steps on the previous page.

2. Installing ③ advanced baseplate configuration.

1) Connect the advanced baseplate configuration with ④ the left/right side rosette to 15mm rod holder attachment via ② the 15 × 200mm rods.

2) Place the advanced baseplate configuration in between the left and right rosette mounting arms and align the rosettes. Tighten ⑤ the tie down screws for the rosettes.



POV SUPPORT SYSTEM